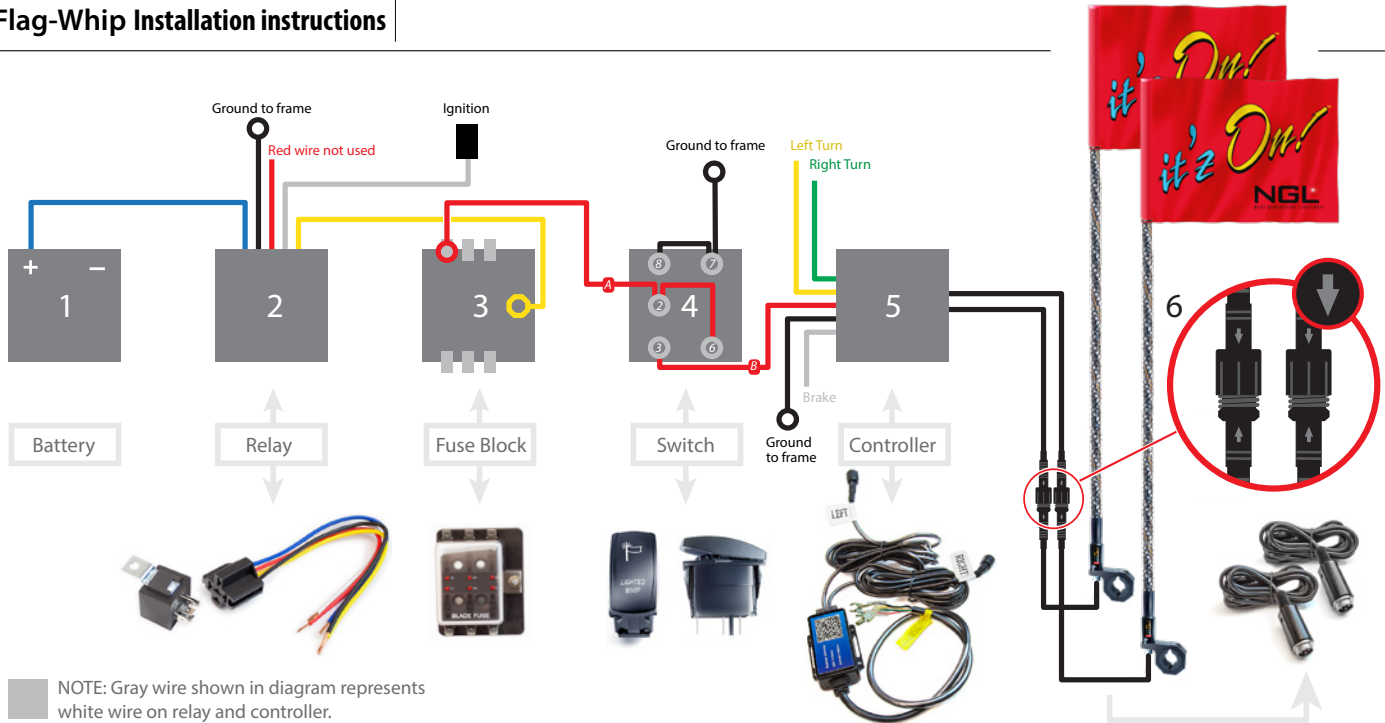


CAUTION:

To prevent damage from occurring, please read instructions carefully and completely before proceeding with Installation. Not following instructions as indicated may void your warranty.

NGL Flag-Whip Installation instructions



* NOTE: it may be necessary to remove seats, panels and trim for easy access to run wires and cables.

1. Find a suitable location where the **Controller(5)** can be safely mounted while being protected from damage (preferably under the dash with easy access to the wires) and allowing for enough cable to reach the whip cable.

• **Action:** Mount with 2 screws or bolts.

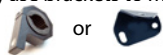
2. Find a location under the dash to mount the fuse **Relay(2)** and the **Fuse Block(3)**.

3. Choose a location for the **Switch(4)**.

• **Action:** If available remove the blank in the dash board and mount **Switch(4)**.

4. Choose a location to mount your **Flag Whip(s)(6)**.

• **Action:** If necessary or preferred, use brackets to mount to the roll cage (brackets sold separately).



5. Run whip cable through the bracket towards the **Controller(5)** keeping the cable protected from damage.

• **Action:** Connect **Controller(5)** cables to the whip cables. **Make sure the black arrows are aligned (see 6). Protect the connections from damage.**

Wiring the Controller(5):

- **Red** wire goes to the **Red B** wire on **Switch(4)**
- **Black** wire to ground
- **White** wire to brake signal from SXS brake system or signal switch brake signal
- **Green** wire to right turn from signal switch
- **Yellow** wire to left turn from signal switch

Wiring the Relay(2):

- **Black** wire to ground
- **Blue** wire to battery positive
- **White** wire to a powered signal from a key on position
- **Yellow** wire to the stud on the **Fuse Block(3)**
- **Red** wire not used

Wiring the Switch(4):

- **Red A** Wire to **Fuse Block(3)**
- **Red B** wire to **Controller(5)**
- **Black** wire to ground

3555 S 700 W • Suite A • Salt Lake City, Utah 84119 • Support +1 844-451-9958 • www.NGLscorp.com

OTHER NGL RV AND ATV/UTV PRODUCTS YOU SHOULD CONSIDER:

Rock Lights • Camp Locator Lights • RV Power Port • RV Porch Light

Learn more at NGLscorp.com or call 1-844-451-9958

NGL
NEXT GENERATION LIGHTING®